

BLANCO FAUCETS: NEW INTRODUCTIONS

Contemporary architecture views a kitchen faucet not only as a source of water flow but also as an ornament that crowns the sink. Putting this into perspective, Hafele introduces new models to its range of modern kitchen faucets by Blanco, conceptualised and created in line with emerging interior trends.

The Blanco Faucets by Hafele display sheer elegance in their design and are available in a chrome plated finish as well as colours that match the look and texture of the Blanco SILGRANIT sinks. The Faucet Range also includes variants that come with extendable spouts enabling you to clean every corner of the sink bowl with acute efficiency! All Blanco faucets falling under Hafele's Range are extensively tested and certified and thus provide maximum safety in terms of health and hygiene.



BLANCO

FEATURES



The patented Neoperl cascade in the Blanco Faucets by Hafele, **reduces limescale** and provides an even flow of water.



The elastic silicone nubs keep the spray free of limescale and are easy to clean.



In Blanco faucets with extendable sprays, the integrated non-return valve **avoids backflow** of used water when the spray is being operated.



The durable ceramic disc cartridges provide for a **precise adjustment** of the water amount and temperature.



Approved safety for the protection of your health

Blanco faucets by Hafele are **extensively tested and certified**, thus providing maximum safety in terms of health and hygiene. They are created with **certified quality materials**; all water conducting parts of the faucets have been tested.

BLANCO CARENA-S Vario



CARENA-S FINISHES



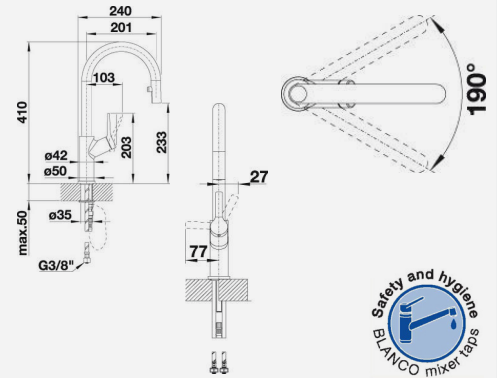
FEATURES

Bold design with a special functionality

- › Classic modern premium mixer tap
- › Covered pull-out two-spray hose with changeover function at the back
- › High arched outlet for easy filling of pots and vases
- › High positioned, ergonomic control lever
- › Bi-colour (Dual finish comprising of metallic surface and SILGRANIT™ look)
- › Material: Brass

TECHNICAL SPECIFICATION

- › Water flow rate: 7.3 litres/ min at 3 bar pressure (mixed flow)
- › 190° swivel spout for greater reach
- › Ø 35 mm tap hole required
- › With ceramic disk cartridge
- › Textile covered spray hose
- › Flexible connector pipes, 450 mm long and 3/8" nut for particularly easy installation
- › Patented jet regulator for markedly reduced scaling
- › Stabilisation plate to increase the stability of the tap when fitted in stainless steel sinks
- › LGA approved



BLANCO MILI



MILI FINISHES



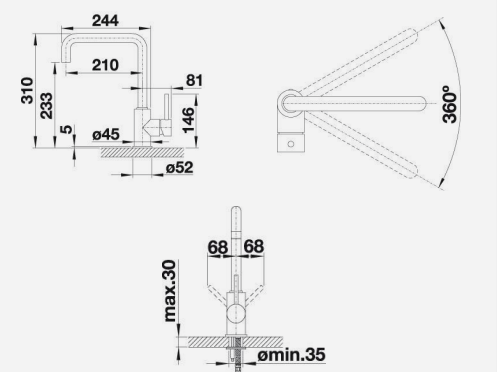
FEATURES

Comfort with contours

- › Slender body with a J-shaped spout
- › High arched outlet for the easy filling of tall pots and vases
- › Enlarged working radius thanks to the 360° swivel spout
- › Colours of the faucet match the look and texture of the SILGRANIT™ sinks and bowls
- › Material: Brass

TECHNICAL SPECIFICATION

- › Water flow rate: 13.44 litres/ min at 3 bar pressure (mixed flow)
- › Single-lever mixer tap
- › Ø 35 mm tap hole required
- › With ceramic disk cartridge
- › Flexible connector pipes, 350 mm long and 3/8" nut for particularly easy installation



BLANCO TIVO-S



TIVO-S FINISHES



Chrome
569.02.210

Anthracite
569.02.310

Rock Grey
569.02.516

Alu Metallic
569.02.910



Coffee
569.02.810



Tartufo
569.02.010



Jasmine
569.02.610



White
569.02.710

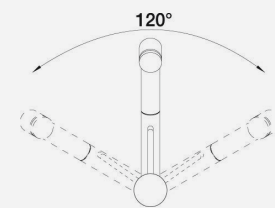
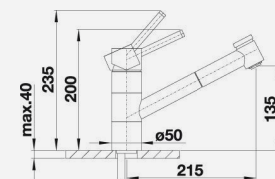
FEATURES

Comfort combined with aesthetics

- › High spout for easier work at the sink
- › Extendable spray with switching function
- › Particularly adapted for modern sinks
- › Bi-colour (Dual finish comprising of metallic surface and SILGRANIT™ look)
- › Material: Brass

TECHNICAL SPECIFICATION

- › Water flow rate: 9.23 litres/ min at 3 bar pressure (mixed flow)
- › Spout can be swivelled by 120°
- › Ø 35 mm tap hole required
- › With ceramic disk cartridge
- › Metal-sheathed spray hose
- › Flexible connection pipes with a length of 450 mm and 3/8" nut for particularly easy and secure installation
- › Patented jet regulator for markedly reduced scaling
- › Stabilisation plate to increase the stability of the tap when fitted in stainless steel sinks
- › LGA approved
- › DVGW approved



BLANCO MIDA-S



MIDA-S FINISHES



Chrome
569.10.200



Anthracite
569.10.300



Rock Grey
569.10.500



Alu Metallic
569.10.900



Coffee
569.10.800



Tartufo
569.10.000



Jasmine
569.10.600



White
569.10.700

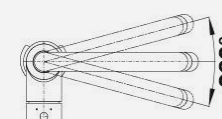
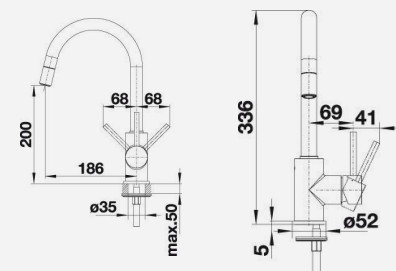
FEATURES

Stylish slender form

- › Gently rounded spout on a slim body
- › High arched outlet for the easy filling of tall pots and vases
- › Especially suitable for compact sinks
- › Enlarged working radius thanks to the 360° swivel spout
- › Pull-down spray hose for added reach
- › Colours of the faucet match the look and texture of the SILGRANIT™ sinks and bowls
- › Material: Brass

TECHNICAL SPECIFICATION

- › Water flow rate: 11.07 litres/ min at 3 bar pressure (mixed flow)
- › Ø 35 mm tap hole required
- › With ceramic disk cartridge
- › Flexible connector pipes, 350 mm long and 3/8" nut for particularly easy installation
- › Nylon-sheathed spray hose
- › Patented jet regulator for markedly reduced scaling
- › Stabilisation plate to increase the stability of the tap when fitted in stainless steel sinks
- › LGA approved



ORDERING INFORMATION

DETAILS	ARTICLE NO.	FINISH
BLANCO CARENA-S		
	569.03.260	Chrome
	569.03.360	Anthracite
	569.03.566	Rock Grey
	569.03.960	Alu Metallic
	569.03.860	Coffee
	569.03.060	Tartufo
	569.03.660	Jasmine
	569.03.760	White
BLANCO MILI		
	569.09.260	Chrome
	569.09.360	Anthracite
	569.09.560	Rock Grey
	569.09.960	Alu Metallic
	569.09.870	Coffee
	569.09.060	Tartufo
	569.09.660	Jasmine
	569.09.760	White
BLANCO TIVO-S		
	569.02.210	Chrome
	569.02.310	Anthracite
	569.02.516	Rock Grey
	569.02.910	Alu Metallic
	569.02.810	Coffee
	569.02.010	Tartufo
	569.02.610	Jasmine
	569.02.710	White
BLANCO MIDA-S		
	569.10.200	Chrome
	569.10.300	Anthracite
	569.10.500	Rock Grey
	569.10.900	Alu Metallic
	569.10.800	Coffee
	569.10.000	Tartufo
	569.10.600	Jasmine
	569.10.700	White